

RGBW Architectural Spot and Flood Light

PRODUCT SPECIFICATION SHEET

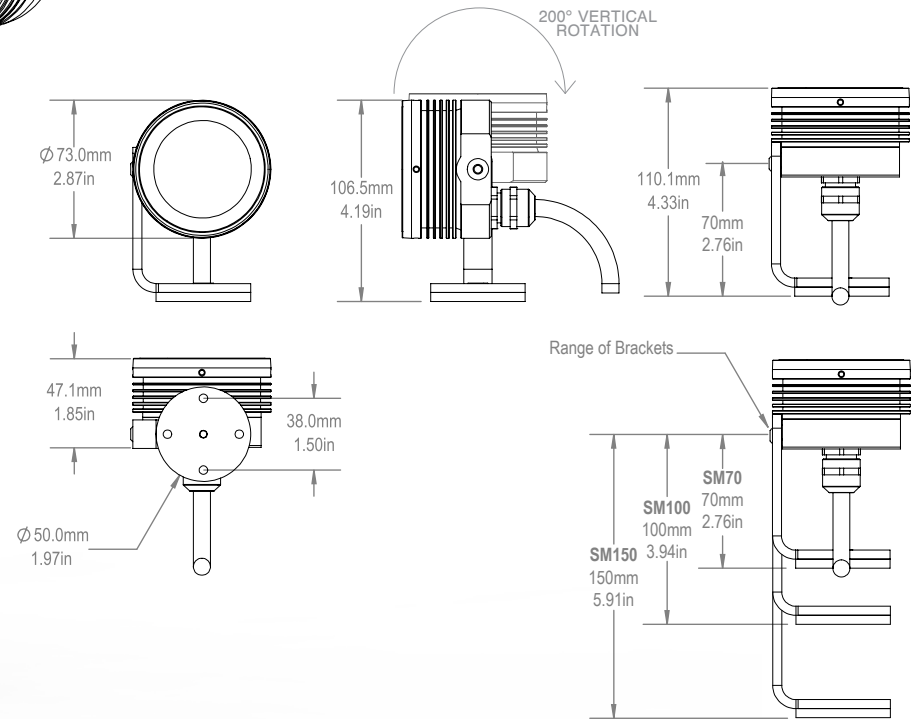


DATE: _____

TYPE: _____

COMPANY: _____

PROJECT: _____



FEATURES:

- COLOR-AMP® technology allows up to three times higher light output in specific colors
- Fully sealed body design
- Machined and architectural anodized aluminum body
- Optically clear tempered glass
- Leader cable with proprietary moisture blocking design (IP68²)
- 5 year limited warranty
- Compact size, only 73mm (2.9in) in diameter
- Highly adjustable with 360° horizontal and 200° vertical rotation

OPTIONS:

- Color changing quad chip LED package (no color separation)
- Beam angles ranging from 10° to 90° with elliptical distribution options
- Optical accessories for glare control
- Black matte and clear matte anodized colors
- Range of bracket lengths
- Outdoor Cable option suitable for outdoor exposed runs or Outdoor Burial Cable option suitable for outdoor exposed runs and direct burial (landscape applications).

SPECIFICATION LOGIC: LIRA™ RGBW

FAMILY	BODY COLOR	POWER	LED COLOR	CONTROL	INPUT VOLTAGE	OPTICS (FWHM)	FLYING LEAD LENGTH	CABLE TYPE	MOUNTING
LIRA	BM - Black Matte	5W ¹	RGBW65K-CA RGBW30K RGBA ¹	DMX ZHD ¹	24VDC	10 - 10°x10°	LL1 - 1.0m (3.3ft) LL2.5 - 2.5m (8.2ft) LL5 - 5.0m (16.4ft) LL7.5 - 7.5m (24.6ft) LL10 - 10.0m (32.8ft) LL15 - 15.0m (49.2ft) LL20 - 20.0m (65.6ft) LL25 - 25.0m (82.0ft)	OD - Outdoor OB - Outdoor Burial (Landscape)	SM70 SM100 ¹ SM150 ¹
	CM - Clear Matte	8W ¹				20 - 20°x20°			
	CUST - Custom Color ¹	10W				40 - 40°x40°			
						60 - 60°x60°			
						80 - 80°x80°			
						90 - 90°x90°			
						10x40 - 10°x40° H			
						40x10 - 40°x10° V			
						10x60 - 10°x60° H			
						60x10 - 60°x10° V			
						30x60 - 30°x60° H			
						60x30 - 60°x30° V			

PRODUCT CONFIGURATION

1. Non-standard option or in development. Contact factory for lead times.
2. Product has been designed to achieve or surpass IP66/68 ratings, certification pending.

RGBW Architectural Spot and Flood Light

PRODUCT SPECIFICATION SHEET

PRODUCT SPECIFICATIONS: LIRA™ RGBW						
ELECTRICAL	Rated Input Voltage	24VDC				
	Power Consumption (max.)	10W				
	AC/DC Power Supply	GVA Lighting, Inc. PDB-ELV24-100~277VAC-IP66/IP40, or suitable 24V Class2 power supply				
OPTICAL	Light Source	High Power 4 in 1 RGBW/A LED				
	RGBW-65K-CA 10W Output (typical)		Color	Wavelength (nm)	Luminous Flux (lm)	Peak Intensity (cd)
			Red	617	130	2,380
			Green	520	260	5,090
			Blue	453	90	1,290
	10°	White	6500K	420	8,480	
	RGBW-30K 10W Output (typical)		Red	617	40	610
			Green	520	90	1,550
			Blue	453	30	220
			White	3000K	160	2,820
Optics (FWHM)			 VERTICAL (40°x10°)	 HORIZONTAL (10°x40°)		
	10 (10°x10°)	10x40 (10°x40° H)				
	20 (20°x20°)	40x10 (40°x10° V)				
	40 (40°x40°)	10x60 (10°x60° H)				
	60 (60°x60°)	60x10 (60°x10° V)				
	80 (80°x80°)	30x60 (30°x60° H)				
	90 (90°x90°)	60x30 (60°x30° V)				
	Projected Lumen Maintenance	L70 > 60,000hrs @ t _a = 50°C (122°F)				
CONTROL	Control Systems	Any DMX512-A controller				
PHYSICAL	Size (HxWxD)	mm	106.5 x 73.90 x 47.1			
		inches	4.19 x 2.87 x 1.85			
	Weight	kg	0.38			
		lbs	0.84			
	Housing	Machined and architectural anodized aluminum body, optically clear tempered glass				
	Fixture Connections (DMX)	DMX	7 conductor power and data cable with stripped wires and proprietary moisture blocking			
ZHD ¹		4 conductor power and data cable with stripped wires and proprietary moisture blocking				
Rated Operation Temperature	-30°C (-22°F) to +50°C (122°F)					
Environment	Dry, Damp or Wet Locations, 0-100% Humidity					
CERTIFICATION & SAFETY	Listings	RoHS				
	IEC Classifications	Class 2 LED Luminaire				
		Constructed to meet requirements outlined in UL 1838 & 8750				

1 - Non-standard option or in development. Contact factory for lead times.

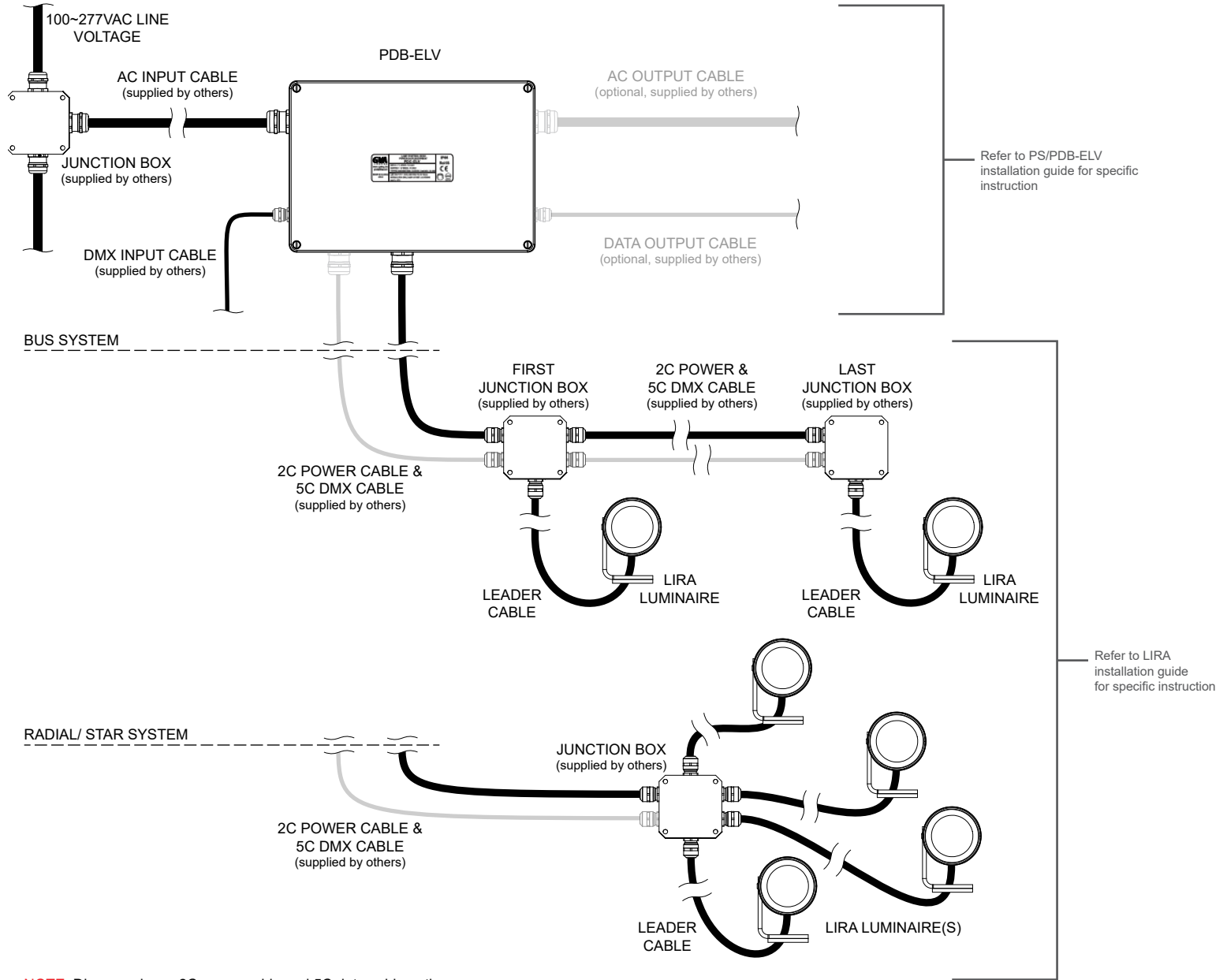
These figures are subject to change due to further development and innovations of LED light sources.

RGBW Architectural Spot and Flood Light

PRODUCT SPECIFICATION SHEET

TYPICAL SYSTEM DIAGRAMS

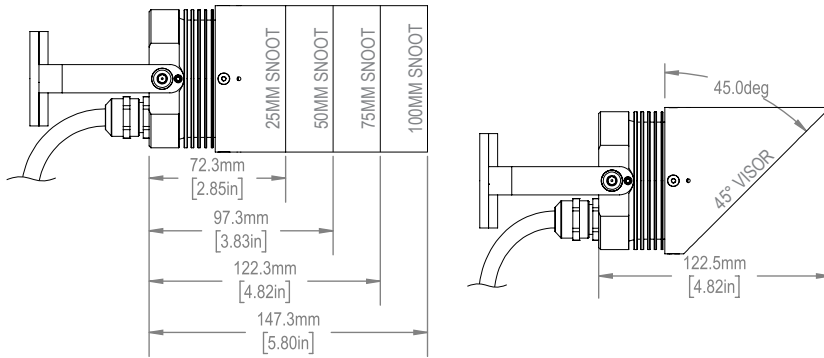
NOTE: Cable length, gauge, and fixture quantity is directly proportionate to the maximum fixture distance from the power-data box. Minimum working voltage of LIRA luminaire is 18VDC. Please consult GVA Lighting for more information.



NOTE: Diagram shows 2C power cable and 5C data cable option. GVA 7C power & data cable available (supplied separately).

ORDERING LOGIC: LIRA OPTICAL ACCESSORIES

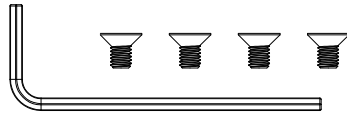
SNOOTS & VISORS



	25MM	50MM	75MM	100MM	VISOR
COLOR					PART NO.
Clear Matte Anodized	122299	122302	122305	122308	122314
Black Matte Anodized	122300	122303	122306	122309	122315
Custom Color	122301	122304	122307	122310	122316

NOTE: Visor can be installed at any 90° orientation. See installation guide for details.
NOTE: Order 1 screw kit per every snoot and visor.

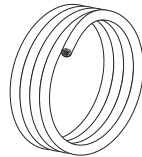
VISOR & SNOOT SCREW KIT



PART NO.
122907

NOTE: Order 1 screw kit per every snoot and visor.

CABLE



TYPE	LENGTH	PART NUMBER
7C OUTDOOR (OD)	Specify in Meters	280277
7C OUTDOOR BURIAL (OB)	Specify in Meters	280224