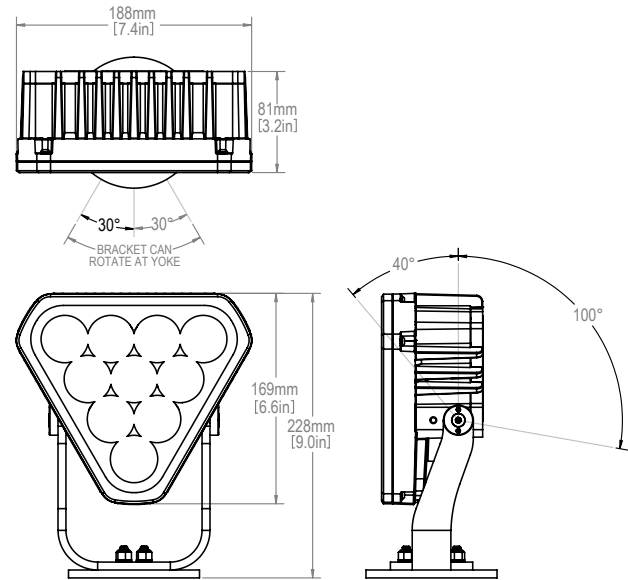
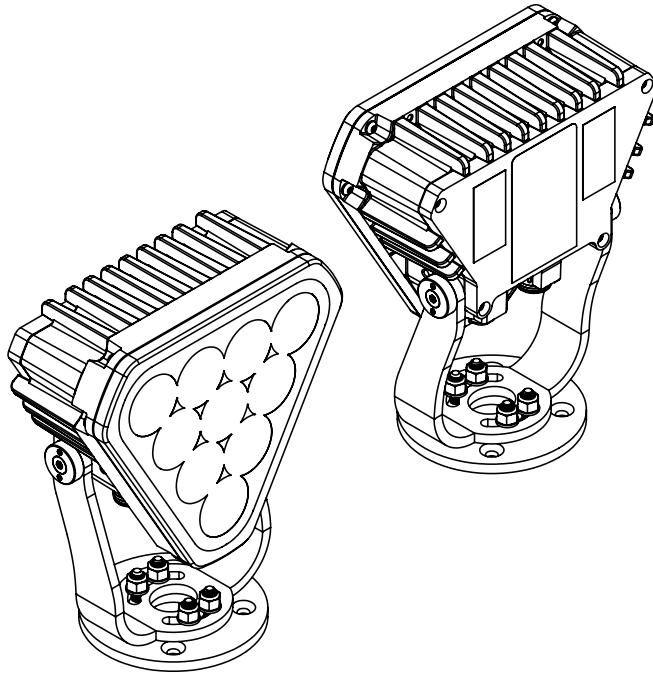


RGBW Outer Mixing Architectural Spot and Floodlight

PRODUCT SPECIFICATION SHEET

Color mixing outside of the fixture for the best performance, color mixing and highest punch.

DATE:	
TYPE:	
COMPANY:	
PROJECT:	



FEATURES:

- Ultra narrow 4.5° beam angle
- INFINITY® Technology compatible (INF)
- Built-in high temperature power supply (AC)
- Advanced thermal design with cutting-edge manufacturing process and materials
- Compact size, only 81mm (3.2in) in depth
- Weight of only 3kg (6.6 lbs)
- Powder coating test for corrosion resistance per ASTM B 117 salt spray resistance test @3000h
- 5G vibration tested per ANSI C136.31 for bridge and underpass applications

OPTIONS:

- Beam angles ranging from 4° to 85° with elliptical distribution options
- Optical accessories for glare control
- White, silver, and black matte standard powder coated body colors
- Custom body colors available on demand
- ELV (48VDC), INF (380VDC) and AC (120~277VAC) input options
- Range of bracket lengths and mounting options
- Highly adjustable with 60° horizontal rotation and 140° vertical rotation

SPECIFICATION LOGIC: FL25 RGBW-OM (OUTER MIXING)

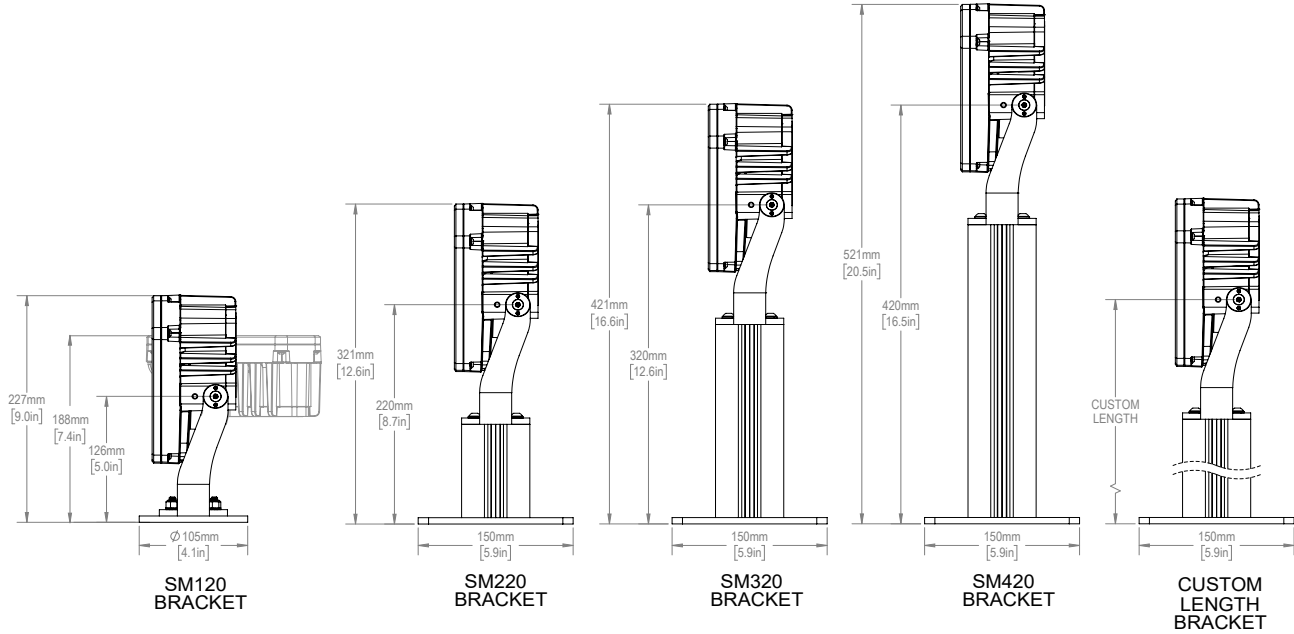
FAMILY	BODY COLOR	LED COLOR	OPTICS(FWHM)*	VOLTAGE	MOUNTING OPTION
FL25	WH - White Matte Powder Coated SR - Silver Matte Powder Coated BL - Black Matte Powder Coated CUST - Custom Color ¹	RGBW22K-OM¹ RGBW27K-OM RGBW30K-OM RGBW35K-OM RGBW40K-OM RGBW50K-OM RGBW65K-OM	4 - 4.5°x4.5° 5 - 5°x5° 7 - 7°x7° 8 - 8°x8° 10 - 10°x10° 20 - 20°x20° 40 - 40°x40° 55 - 55°x55° 75 - 75°x75° 85 - 85°x85° 10x40 - 10°x40° H 40x10 - 40°x10° V 10x60 - 10°x60° H 60x10 - 60°x10° V 30x55 - 30°x60° H 55x30 - 60°x30° V	ELV - 48VDC INF - 380VDC AC277 - 120~277VAC	SM70 - Low Profile Surface Mount 70mm ¹ SM120 - Surface Mount 120mm SM220 - Surface Mount 200mm SM320 - Surface Mount 300mm SM420 - Surface Mount 400mm SMXXX - Surface Mount Custom ² (specify length) TM120 - Tenon Mount 120mm ¹ AA-SM120 - 90 Degree Angle Adapter Bracket PM 6 - Pole Mount (5.25-6in pole) ¹ PM 6.75 - Pole Mount (6-6.75in pole) ¹

PRODUCT CONFIGURATION

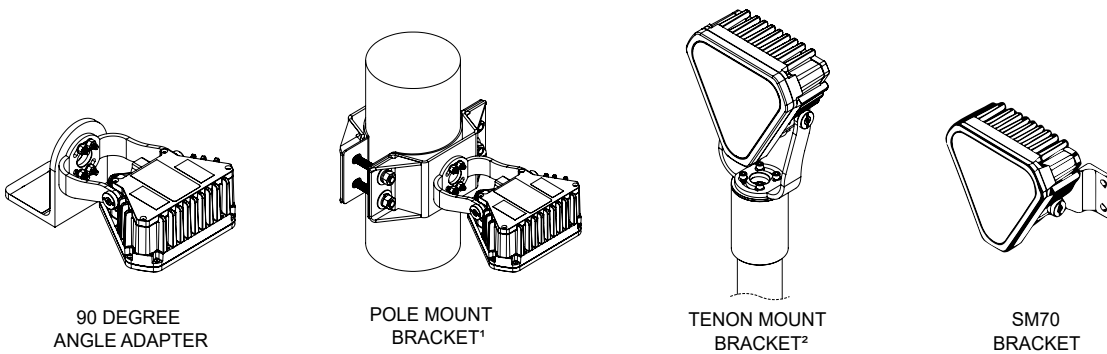
1. Non standard option and might require longer leadtime than usual. Contact factory for details.
 2. Bracket lengths longer than 500mm may not be available for some applications. Contact factory for details.

Nominal values are used. Actual measurements may differ slightly.

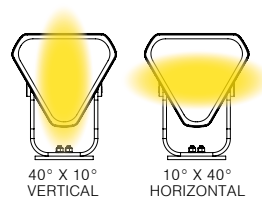

FL25 STANDARD MOUNTING BRACKET OPTIONS



FL25 ADDITIONAL MOUNTING BRACKET OPTIONS



NOTE: 1. Available for pole diameters 5.25-6" (134-153mm) and 6-6.75" (154-171mm).
2. Available for tenon diameters 2-2.5" (50-64mm).

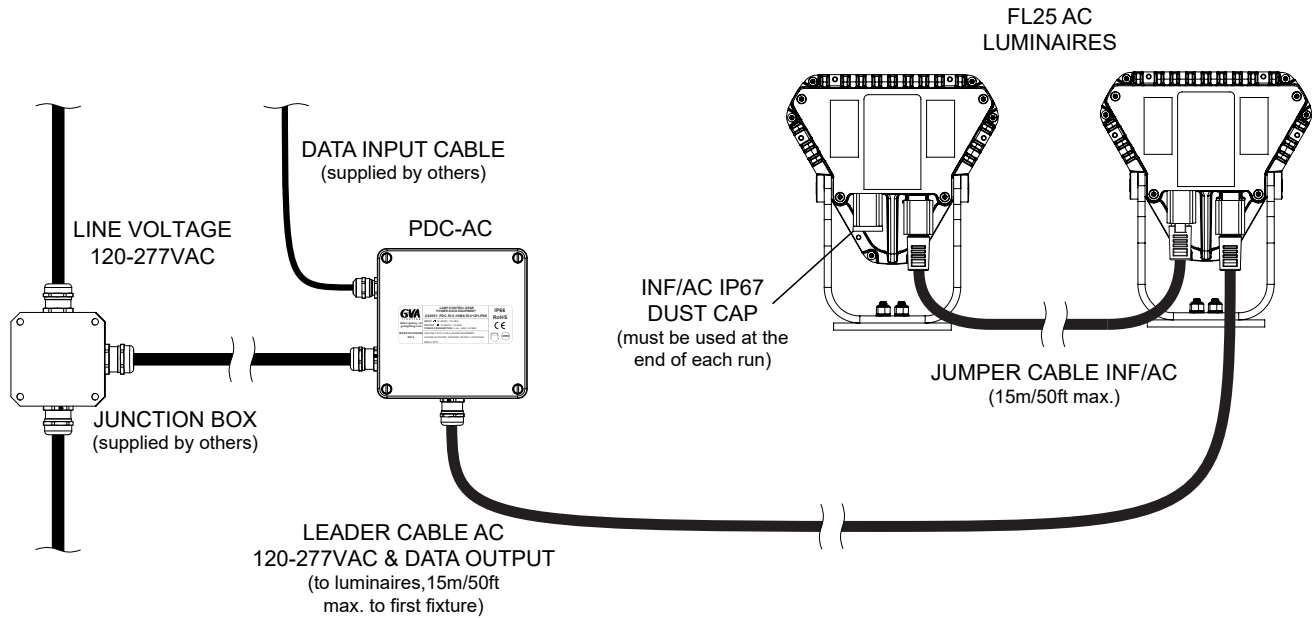
PRODUCT SPECIFICATIONS: FL25 RGBW-OM (OUTER MIXING)					
ELECTRICAL	Rated Input Voltage	48VDC	380VDC	120~277VAC	
	Power Consumption (max.)	25W	35W	30W	
OPTICAL	Light Source	10 x High Power LEDs			
	CRI	80 ¹			
	Output (typical) 4 ²	Color	Wave Length (nm)		Luminous Flux (lm)
		Red	620		193
		Green	525		356
		Blue	470		87
		White - 4000K ³ All On			308 903
	Output (typical) 7 ²	Color	Wave Length (nm)		Luminous Flux (lm)
		Red	620		189
		Green	525		363
Blue		470		89	
White - 4000K ³ All On				425 1,018	
Optics	High optical efficiency PMMA TIR Lens, Micro Lense Film, Tempered Glass Cover				
Beam Angle (FWHM)	4 (4.5°x4.5°), 5 (5°x5°), 7 (7°x7°), 8 (8°x8°), 10 (10°x10°), 20 (20°x20°), 40 (40°x40°), 55 (55°x55°), 75 (75°x75°), 85 (85°x85°), 10x40 (10°x40°), 40x10 (40°x10°), 10x60 (10°x60°), 60x10 (60°x10°), 30x55 (30°x55°), 55x30 (55°x30°)				
Projected Lumen Maintenance	L70 > 60,000hrs @ Ta =50°C (122°F)				
CONTROL	Control Interface	DMX control through GVA's Power-Data Equipment			
PHYSICAL	Size (HxWxD)	169 x 188 x 81 mm (6.6 x 7.4 x 3.2 in)			
	Weight	3kg (6.6 lbs)			
	Housing	ASTM B117 marine grade 3000h compliant powder coated, die cast aluminum alloy			
	Rated Operation Temperature	-40°C (-40°F) to +50°C (122°F)			
CERTIFICATION & SAFETY	Environment	Dry, Damp or Wet Locations, 0-100% humidity			
	Listings	RoHS, REACH			
	IEC Classifications	Class I Luminaire			
				<p>Constructed to meet requirements outlined in UL1598 & IEC60598</p> <p>Constructed to meet ANSI C136.31 5G Vibration standard for bridge and overpass applications</p>	

1. Minimum 90 CRI also available.
 2. Luminous flux may vary by optical distribution.
 3. Warmer color temperatures typically have a lower lumen output.

These figures are subject to change due to further development and innovations of LED light sources.

TYPICAL SYSTEM DIAGRAM: AC (WITH CONTROL)

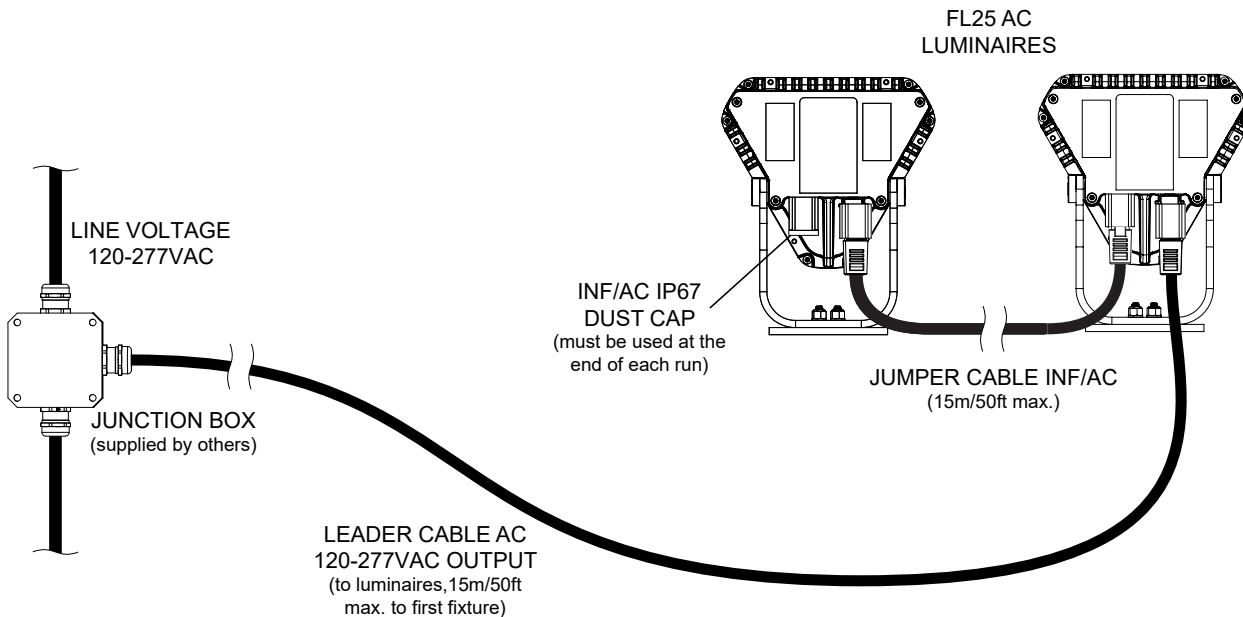
NOTE: Length of leader cables and jumper cables directly affects the maximum number of fixtures in a single run.



TYPICAL SYSTEM DIAGRAM: AC (WITH NO CONTROL)

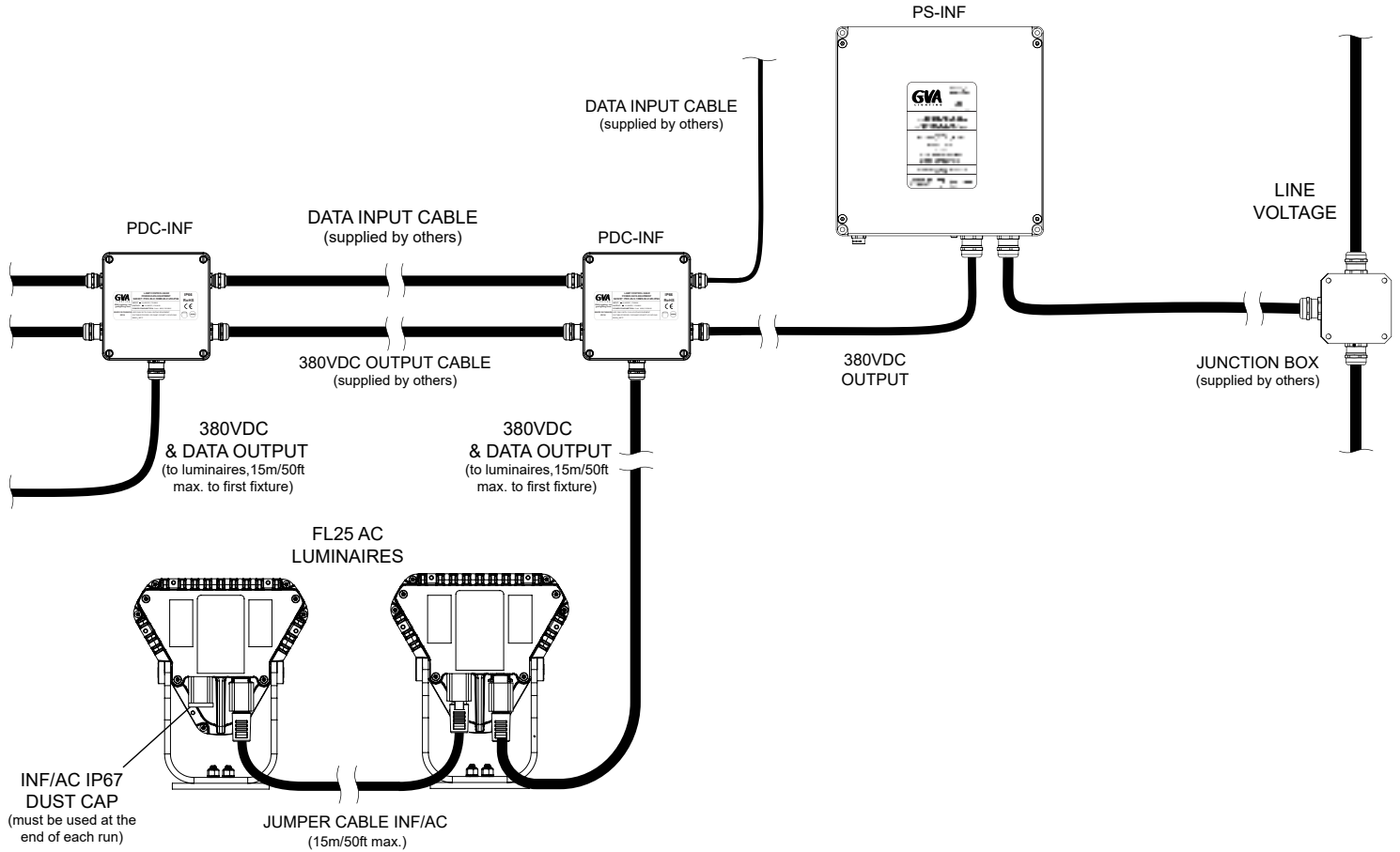
NOTE: Length of leader cables and jumper cables directly affects the maximum number of fixtures in a single run.

To be used with FL25 MONO fixtures only.



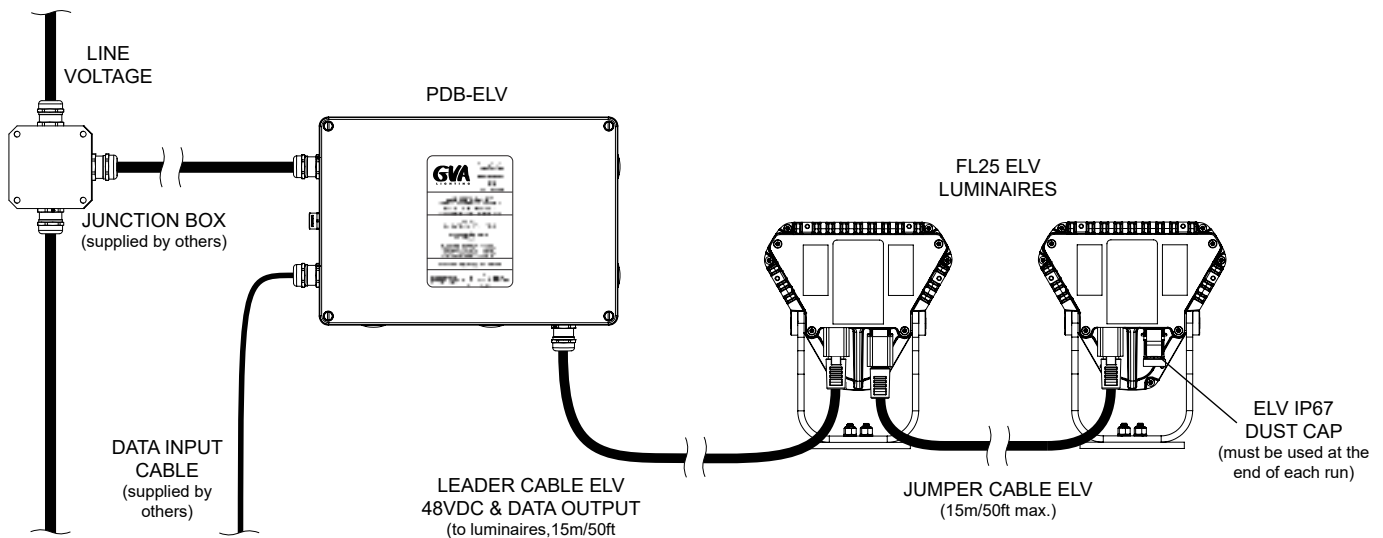
TYPICAL SYSTEM DIAGRAM: INFINITY® (WITH CONTROL)

NOTE: Length of leader cables and jumper cables directly affects the maximum number of fixtures in a single run.



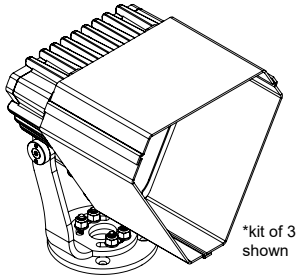
TYPICAL SYSTEM DIAGRAM: ELV (WITH CONTROL)

NOTE: Length of leader cables and jumper cables directly affects the maximum number of fixtures in a single run.

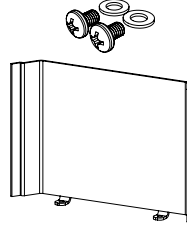
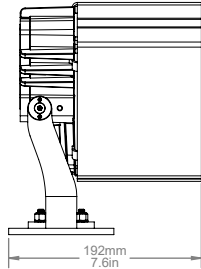


ORDERING LOGIC: ACCESSORIES

VISORS



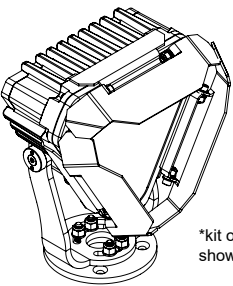
*kit of 3 shown



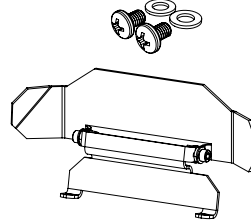
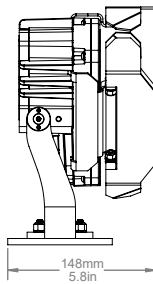
COLOR	KIT OF 1	KIT OF 2	KIT OF 3
White	124744	124748	124752
Silver	124745	124749	124753
Black	122398	122401	122404
Custom	124747	124751	124755

* kit includes mounting hardware

BARN DOORS



*kit of 3 shown



COLOR	KIT OF 1	KIT OF 2	KIT OF 3
White	124656	124708	124724
Silver	124657	124709	124725
Black	122408	122411	122414
Custom	124659	124711	124727

* kit includes mounting hardware

ORDERING LOGIC: FL MOUNTING ACCESSORIES

FL LEADER CABLE ELV



NOMINAL LENGTH	PART NUMBER	WEIGHT
3.0 m (9 ft)	141481	420 g (0.93 lbs)
6.0 m (19 ft)	141484	815 g (1.80 lbs)
9.0 m (30 ft)	141487	1210 g (2.67 lbs)
15.0 m (50 ft)	141489	2000 g (4.41 lbs)
30.0 m (100 ft)	141492	3975 g (8.76 lbs)

FL LEADER CABLE INF



NOMINAL LENGTH	PART NUMBER	WEIGHT
3.0 m (9 ft)	141495	420 g (0.93 lbs)
6.0 m (19 ft)	141498	815 g (1.80 lbs)
9.0 m (30 ft)	141501	1210 g (2.67 lbs)
15.0 m (50 ft)	141503	2000 g (4.41 lbs)
30.0 m (100 ft)	141506	3975 g (8.76 lbs)

FL LEADER CABLE AC



NOMINAL LENGTH	PART NUMBER	WEIGHT
3.0 m (9 ft)	141509	420 g (0.93 lbs)
6.0 m (19 ft)	141512	815 g (1.80 lbs)
9.0 m (30 ft)	141515	1210 g (2.67 lbs)
15.0 m (50 ft)	141517	2000 g (4.41 lbs)
30.0 m (100 ft)	141520	3975 g (8.76 lbs)

FLJUMPER CABLE ELV

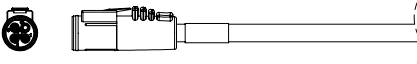
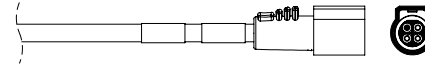


NOMINAL LENGTH	PART NUMBER	WEIGHT
0.3 m (1 ft)	141739	90 g (0.20 lbs)
0.6 m (2 ft)	141740	129 g (0.28 lbs)
0.9 m (3 ft)	141741	169 g (0.37 lbs)
1.2 m (4 ft)	141742	208 g (0.46 lbs)
1.5 m (5 ft)	141743	248 g (0.55 lbs)
1.8 m (6 ft)	141744	287 g (0.63 lbs)
6.0 m (20 ft)	141758	840 g (1.85 lbs)
9.0 m (30 ft)	141768	1235 g (2.72 lbs)

*Not all jumper lengths are shown. Lengths available in 300mm increments.

RGBW Outer Mixing Architectural Spot and Floodlight

PRODUCT SPECIFICATION SHEET

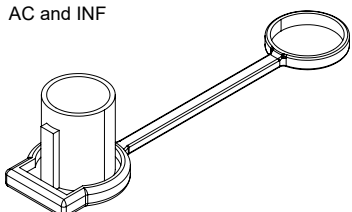
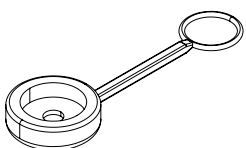
FL JUMPER CABLE INF AND AC			
	NOMINAL LENGTH	PART NUMBER	WEIGHT
<p>INPUT</p>  <p>OUTPUT</p> 	0.3 m (1 ft)	141789	90 g (0.20 lbs)
	0.6 m (2 ft)	141790	129 g (0.28 lbs)
	0.9 m (3 ft)	141791	169 g (0.37 lbs)
	1.2 m (4 ft)	141792	208 g (0.46 lbs)
	1.5 m (5 ft)	141793	248 g (0.55 lbs)
	1.8 m (6 ft)	141794	287 g (0.63 lbs)
	6.0 m (20 ft)	141808	840 g (1.85 lbs)
	9.0 m (30 ft)	141818	1235 g (2.72 lbs)

*Not all jumper lengths are shown. Lengths available in 300mm increments.

FL CABLE 3X14 AWG + 1X24 AWG			
	NOMINAL LENGTH	PART NUMBER	WEIGHT
	Sold per m	280253	132 g (0.291lbs)

*Raw cable cut to length. Please specify required length.

ORDERING LOGIC: COMMON COMPONENTS

FL CONNECTOR DUST CAP, IP67 (MUST BE USED AT THE END OF EACH RUN)				
		TYPE	PART NUMBER	WEIGHT
<p>AC and INF</p> 	<p>ELV</p> 	FL-ELV	231182	3.40g / 0.11oz
		FL-AC and INF	230855	6.24g / 0.22oz