

RGBW/RGBA Inner Mixing Architectural Spot and Floodlight

PRODUCT SPECIFICATION SHEET

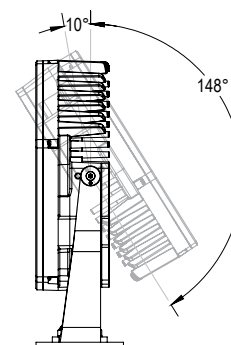
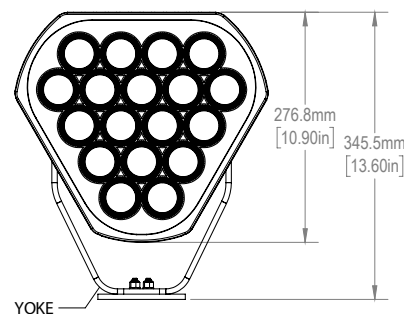
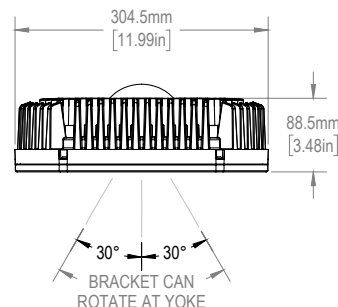
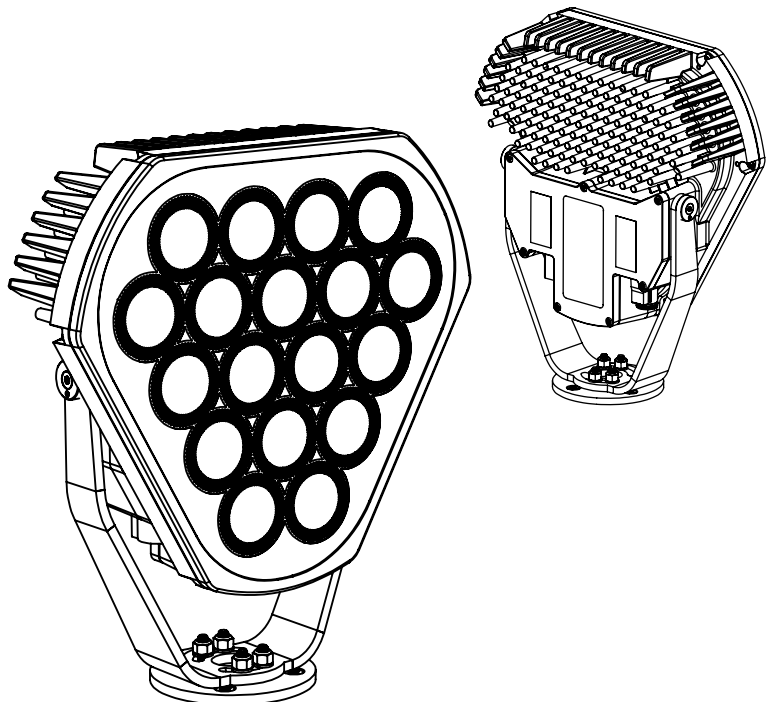
Color mixing in a single optic for wall washing/grazing applications and color compatibility with STR9® RGBW fixtures.

DATE:

TYPE:

COMPANY:

PROJECT:



*SM200 bracket mounting option shown. See page 2 for more mounting options.

FEATURES:

- Ultra narrow 4.5° beam angle
- INFINITY® Technology compatible (INF)
- Built-in high temperature universal power supply (AC)
- Plug-and-play with STR9® luminaires
- Compact size, only 89mm (3.5in) in depth
- Weight of only 6.5 kg (14.3 lbs) for ELV/ INF and 7 kg (15.4 lbs) for AC fixtures
- Powder coating tested for corrosion resistance per ASTM B 117 salt spray resistance test @3000h

OPTIONS:

- Highly adjustable with 60° horizontal rotation and 158° vertical rotation
- Beam angles ranging from 4° to 85° with elliptical distribution options
- Custom LED color combinations available
- Optical accessories for glare control
- White, silver, and black standard powder coated body colors
- Custom body colors available on demand
- ELV (48VDC), INF (380VDC) and AC (120-277VAC) input options
- Range of bracket lengths and mounting options

SPECIFICATION LOGIC: FL100 - IM (INNER MIXING)

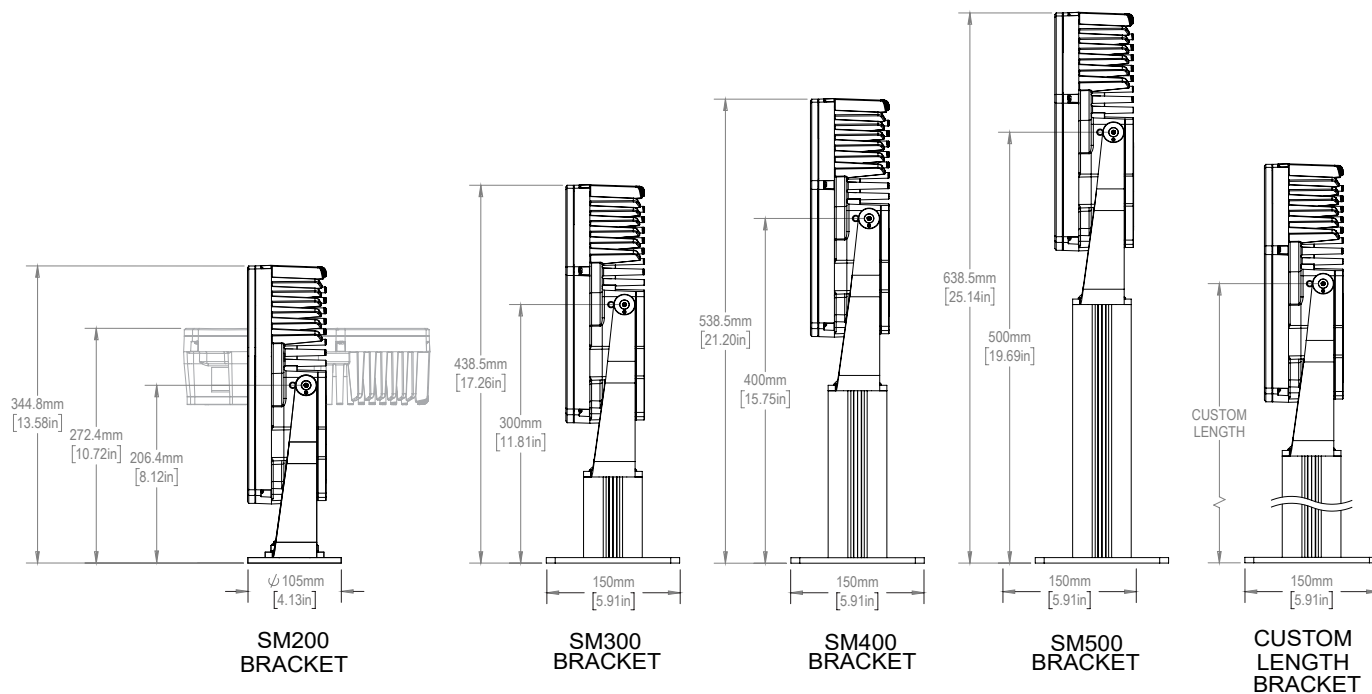
FAMILY	BODY COLOR	LED COLOR	OPTICS(FWHM)*	VOLTAGE	MOUNTING OPTION
FL100	WH - White Matte Powder Coated	RGBA-IM	10 - 10°x10°	ELV - 48VDC	SM70 - Low Profile Surface Mount 70mm ¹
	SR - Silver Matte Powder Coated	RGBW30K-IM	20 - 20°x20°	INF - 380VDC	SM200 - Surface Mount 200mm
	BL - Black Matte Powder Coated	RGBW65K-IM	30 - 30°x30°	AC277 - 120-277VAC	SM300 - Surface Mount 300mm ¹
	CUST - Custom Color ¹		40 - 40°x40°		SM400 - Surface Mount 400mm ¹
			60 - 60°x60°		SM500 - Surface Mount 500mm ¹
			80 - 80°x80°		SMXXX - Surface Mount Custom ² (specify length)
			90 - 90°x90°		TM200 - Tenon Mount 200mm ¹
			10x40 - 10°x40° H		AA-SM200 - 90 Degree Angle Adapter Bracket
			40x10 - 40°x10° V		PM 6 - Pole Mount (5.25-6in pole) ¹
			10x60 - 10°x60° H		PM 6.75 - Pole Mount (6-6.75in pole) ¹
			60x10 - 60°x10° V		
			30x60 - 30°x60° H		
			60x30 - 60°x30° V		

PRODUCT CONFIGURATION

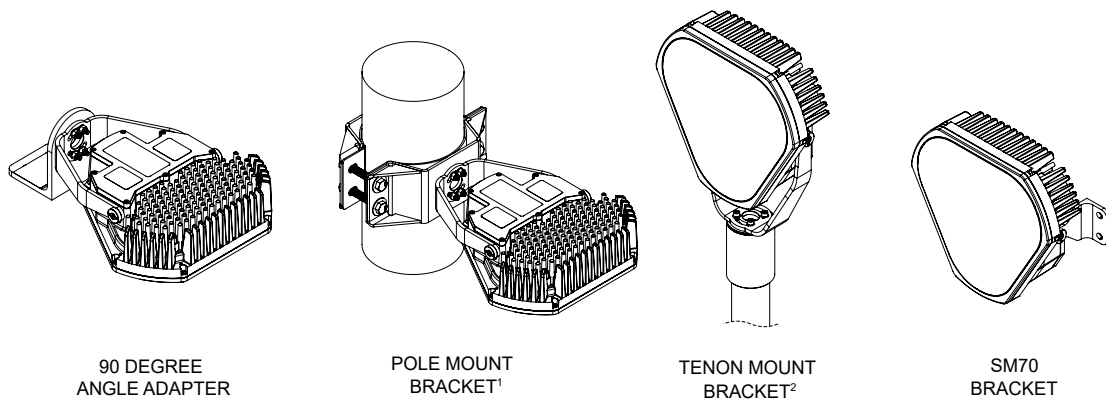
1. Non standard option and might require longer leadtime than usual. Contact factory for details.
2. Bracket lengths longer than 500mm may not be available for some applications. Contact factory for details.

Nominal values are used. Actual measurements may differ slightly.

FL100 STANDARD MOUNTING BRACKET OPTIONS










FL100 ADDITIONAL MOUNTING BRACKET OPTIONS



NOTE: 1. Available for pole diameters 5.25-6" (134-153mm) and 6-6.75" (154-171mm).
2. Available for tenon diameters 2-2.5" (50-64mm).

MOUNTING BRACKET OPTIONS

PRODUCT SPECIFICATIONS: FL100 - IM (INNER MIXING)

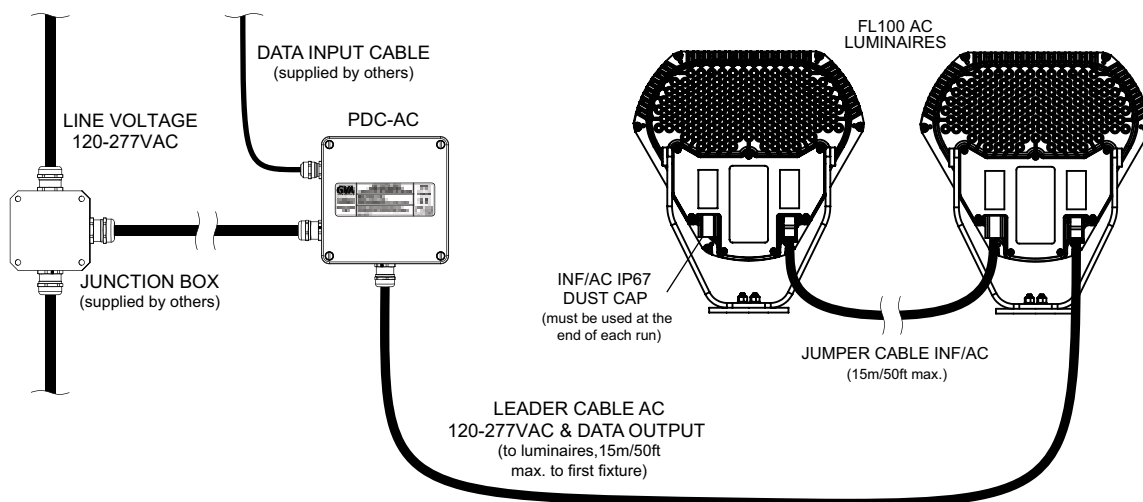
ELECTRICAL	Rated Input Voltage	48VDC	380VDC	120-277VAC	
	Power Consumption (max.)	100W	110W	120W	
	Driver Type	N/A	N/A	Constant Voltage	
	Driver Loss	N/A	N/A	Power Factor 200VAC: max. 97% 120VAC: max. 99%	
	THD	N/A	N/A	200VAC: <17.5% 120VAC: <10%	
Circuit Level Surge Protection	Transient-voltage-suppression diode ³			²	
OPTICAL	Light Source	18 x High Power 4 in 1 LEDs			
	CRI	70			
	Output (typical) 10° ¹ COLOR-AMP™	Color	Wave Length (nm)	Luminous Flux (lm)	
		Red	617	1,651	
		Green	520	2,769	
		Blue	453	1,046	
		Amber		1,912	
White - 3000K			4,365		
White - 6500K		5,555			
All On - 6500K		4,395			
Optics	High optical efficiency PMMA TIR Lens, Micro Lense Film, Tempered Glass Cover				
Beam Angle (FWHM)	10 (10°x10°), 20 (20°x20°), 30 (30°x30°), 40 (40°x40°), 60 (60°x60°), 80 (80°x80°), 90 (90°x90°), 10x40 (10°x40°), 40x10 (40°x10°), 10x60 (10°x60°), 60x10 (60°x10°), 30x60 (30°x60°), 60x30 (60°x30°)			 40° X 10° VERTICAL  10° X 40° HORIZONTAL	
Projected Lumen Maintenance	L70 > 60,000hrs @ Ta =50°C (122°F)				
CONTROL	Control Interface	DMX control through GVA's Power-Data Equipment			
PHYSICAL	Size (HxWxD)	276 x 305 x 89 mm (10.9 x 12.0 x 3.5 in)			
	Weight	ELV & INF: 6.5 kg (14.3 lbs) AC: 7 kg (15.4 lbs)			
	Housing	ASTM B117 marine grade 3000h compliant powder coated, low copper, die cast aluminum alloy			
	Rated Operation Temperature	-40°C (-40°F) to +50°C (122°F)			
	Environment	Dry, Damp or Wet Locations, 0-100% humidity			
CERTIFICATION & SAFETY	Listings	RoHS, REACH			
	IEC Classifications	Class I Luminaire			
	    			Constructed to meet requirements outlined in UL1598 & IEC60598	

1. Luminous flux may vary by optical distribution.
 2. ± 2 kV line to line (differential mode) / ± 2 kV line to common mode ground (tested to secondary ground) on AC power port, ±0.5 kV for outdoor cables based on IEC61000-4-5
 3. Supplementary protection recommended at the input of power supply
 4. Contact factory for details.

These figures are subject to change due to further development and innovations of LED light sources.

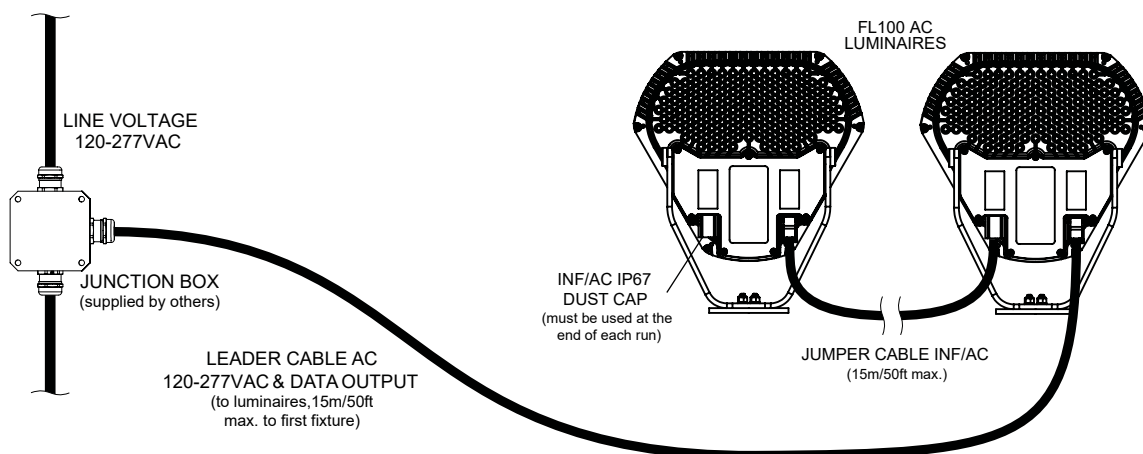
TYPICAL SYSTEM DIAGRAM: AC (WITH CONTROL)

NOTE: Length of leader cables and jumper cables directly affects the maximum number of fixtures in a single run.



TYPICAL SYSTEM DIAGRAM: AC (WITHOUT CONTROL)

NOTE: Length of leader cables and jumper cables directly affects the maximum number of fixtures in a single run.

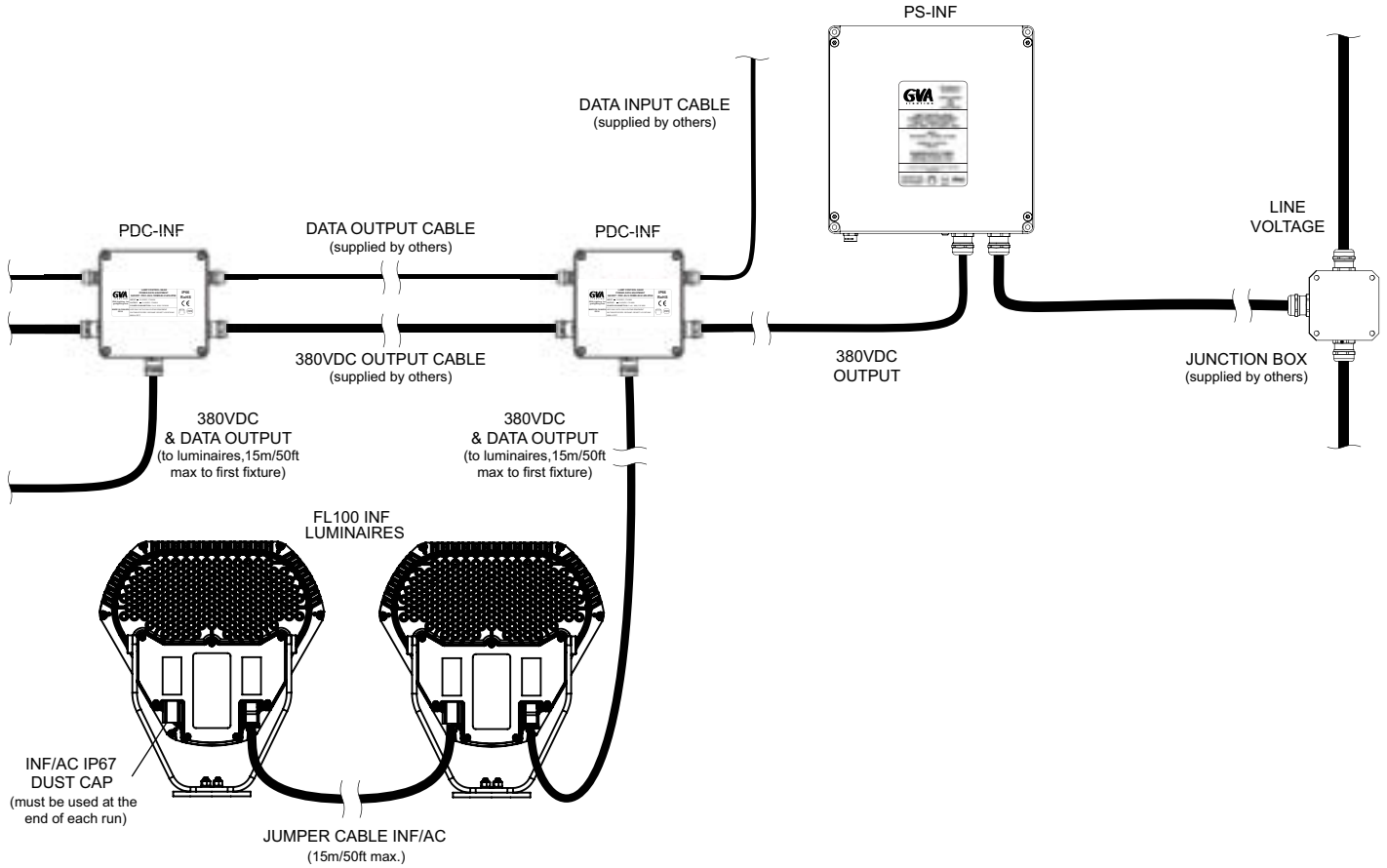


RGBW/RGBA Inner Mixing Architectural Spot and Floodlight

PRODUCT SPECIFICATION SHEET

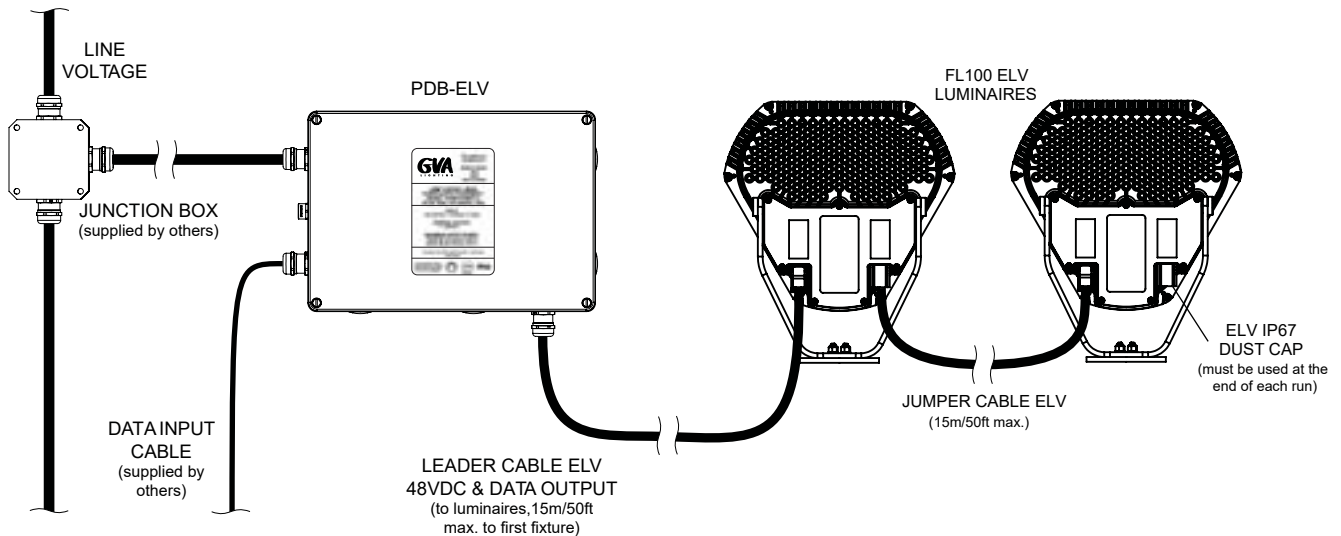
TYPICAL SYSTEM DIAGRAM: INFINITY® (WITH CONTROL)

NOTE: Length of leader cables and jumper cables directly affects the maximum number of fixtures in a single run.



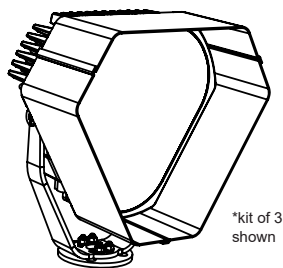
TYPICAL SYSTEM DIAGRAM: ELV (WITH CONTROL)

NOTE: Length of leader cables and jumper cables directly affects the maximum number of fixtures in a single run.

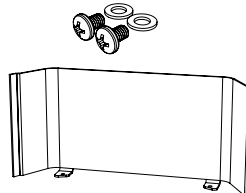
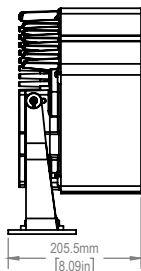


ORDERING LOGIC: ACCESSORIES

VISORS



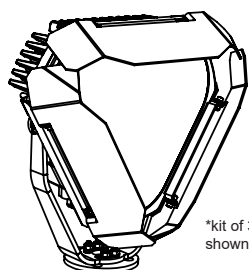
*kit of 3 shown



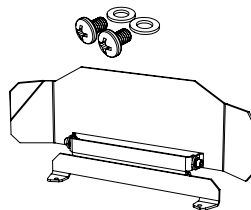
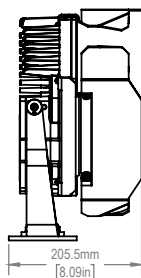
COLOR	KIT OF 1	KIT OF 2	KIT OF 3
White Matte	124776	124780	124784
Silver Matte	124777	124781	124785
Black Matte	121885	121888	121891
Custom Color	124779	124783	124787

* kit includes mounting hardware

BARN DOORS



*kit of 3 shown



COLOR	KIT OF 1	KIT OF 2	KIT OF 3
White Matte	124688	124716	124732
Silver Matte	124689	124717	124733
Black Matte	121894	121897	121900
Custom Color	124691	124719	124735

* kit includes mounting hardware

ORDERING LOGIC: FL MOUNTING ACCESSORIES

FL LEADER CABLE ELV



NOMINAL LENGTH	PART NUMBER	WEIGHT
3.0 m (9 ft)	141481	420 g (0.93 lbs)
6.0 m (19 ft)	141484	815 g (1.80 lbs)
9.0 m (30 ft)	141487	1210 g (2.67 lbs)
15.0 m (50 ft)	141489	2000 g (4.41 lbs)
30.0 m (100 ft)	141492	3975 g (8.76 lbs)

FL LEADER CABLE INF



NOMINAL LENGTH	PART NUMBER	WEIGHT
3.0 m (9 ft)	141495	420 g (0.93 lbs)
6.0 m (19 ft)	141498	815 g (1.80 lbs)
9.0 m (30 ft)	141501	1210 g (2.67 lbs)
15.0 m (50 ft)	141503	2000 g (4.41 lbs)
30.0 m (100 ft)	141506	3975 g (8.76 lbs)

FL LEADER CABLE AC



NOMINAL LENGTH	PART NUMBER	WEIGHT
3.0 m (9 ft)	141509	420 g (0.93 lbs)
6.0 m (19 ft)	141512	815 g (1.80 lbs)
9.0 m (30 ft)	141515	1210 g (2.67 lbs)
15.0 m (50 ft)	141517	2000 g (4.41 lbs)
30.0 m (100 ft)	141520	3975 g (8.76 lbs)

FLJUMPER CABLE ELV

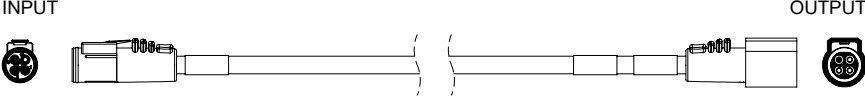



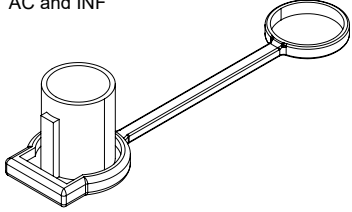
NOMINAL LENGTH	PART NUMBER	WEIGHT
0.3 m (1 ft)	141739	90 g (0.20 lbs)
0.6 m (2 ft)	141740	129 g (0.28 lbs)
0.9 m (3 ft)	141741	169 g (0.37 lbs)
1.2 m (4 ft)	141742	208 g (0.46 lbs)
1.5 m (5 ft)	141743	248 g (0.55 lbs)
1.8 m (6 ft)	141744	287 g (0.63 lbs)
6.0 m (20 ft)	141758	840 g (1.85 lbs)
9.0 m (30 ft)	141768	1235 g (2.72 lbs)

*Not all jumper lengths are shown. Lengths available in 300mm increments.

RGBW/RGBA Inner Mixing Architectural Spot and Floodlight

PRODUCT SPECIFICATION SHEET

FL JUMPER CABLE INF and AC			
	NOMINAL LENGTH	PART NUMBER	WEIGHT
<p>INPUT</p>  <p>OUTPUT</p> <p>*Not all jumper lengths are shown. Lengths available in 300mm increments.</p>	0.3 m (1 ft)	141789	90 g (0.20 lbs)
	0.6 m (2 ft)	141790	129 g (0.28 lbs)
	0.9 m (3 ft)	141791	169 g (0.37 lbs)
	1.2 m (4 ft)	141792	208 g (0.46 lbs)
	1.5 m (5 ft)	141793	248 g (0.55 lbs)
	1.8 m (6 ft)	141794	287 g (0.63 lbs)
	6.0 m (20 ft)	141808	840 g (1.85 lbs)
	9.0 m (30 ft)	141818	1235 g (2.72 lbs)
	FL CABLE 3X14 AWG + 1X24 AWG		
	NOMINAL LENGTH	PART NUMBER	WEIGHT
 <p>*Raw cable cut to length. Please specify required length.</p>	Sold per m	280253	132 g (0.291lbs)

ORDERING LOGIC: COMMON COMPONENTS			
FL CONNECTOR DUST CAP, IP67 (Must be used at the end of each run)			
	TYPE	PART NUMBER	WEIGHT
<p>AC and INF</p> 	FL-ELV	231182	3.40g / 0.11oz
	FL-AC and INF	230855	6.24g / 0.22oz
<p>ELV</p> 